

DC POWER JACK CONNECTOR



Ø1.65 STRAIGHT

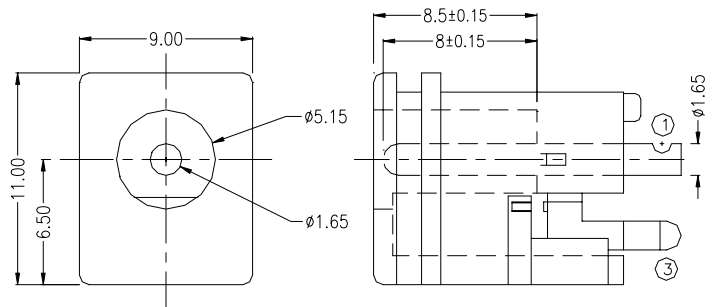
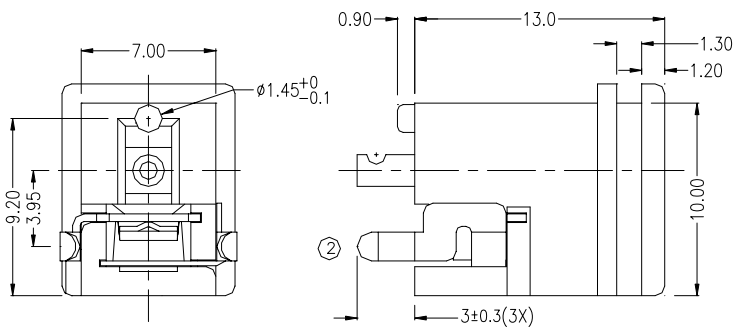
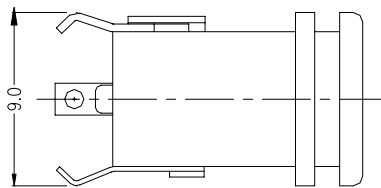


PART NO. :

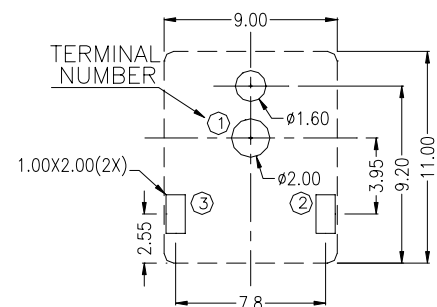
NK-DC036

MATERIALS :

- TERMINAL 1 : BRASS
- TERMINAL 2 : COPPER ALLOY
- TERMINAL 3 : BRASS
- HOUSING : PBT



P/N:	NK-DC036
SCHEMATIC	
CENTRE PIN	Ø1.65mm



RECOMMENDED PCB LAYOUT