

# RCA JACK CONNECTOR



1\*2 PORT Ø3.5

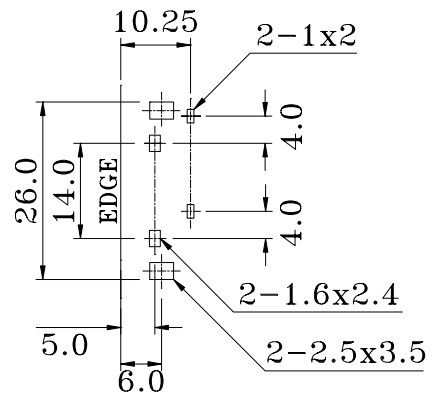
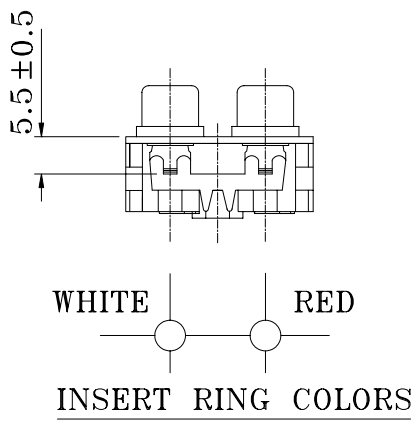
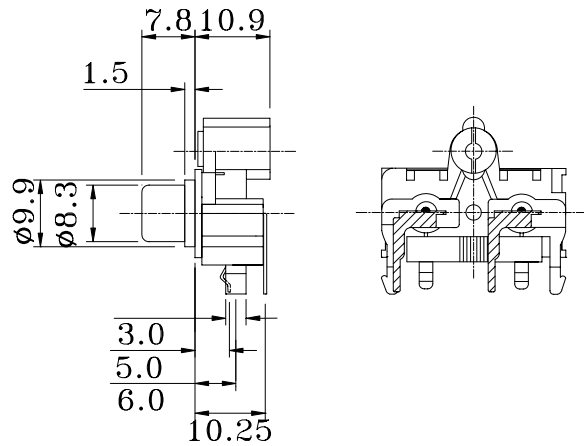
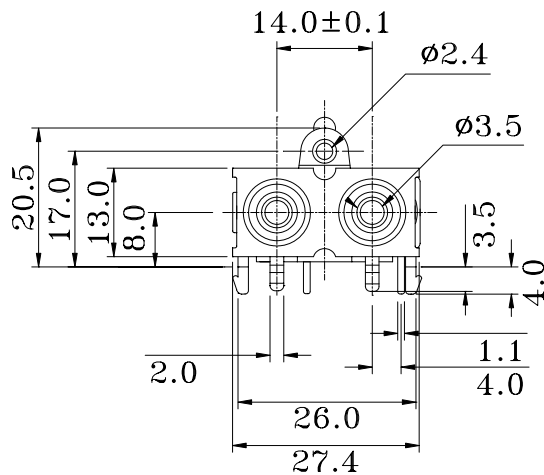


**PART NO. :**

**NK-1413-2H**

**MATERIALS :**

HOUSING: ABS 94HB, FINISH: WHITE.  
 RETAINER: ABS 94HB, FINISH: BLACK.  
 TERMINAL: C2680R-H t=0.5  
 TERMINAL: C2680R-0 t=0.5  
 INSERT RING: PBT, FINISH: W,R



PCB LAYOUT  
(BOTTOM VIEW)