

DC POWER JACK CONNECTOR



Ø2.0 / Ø2.5



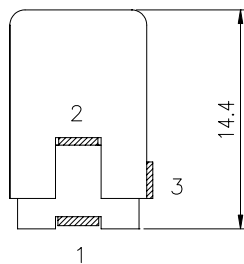
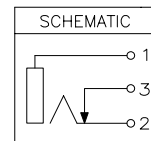
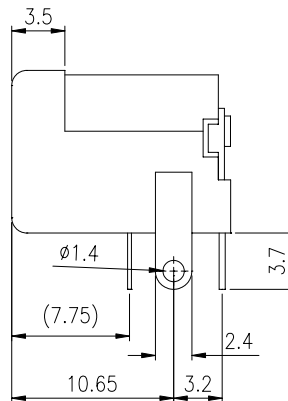
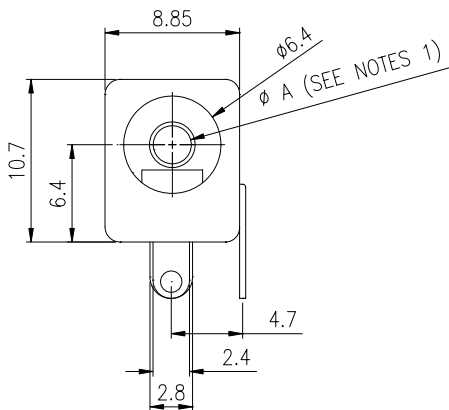
NK-072 SERIES

MATERIALS :

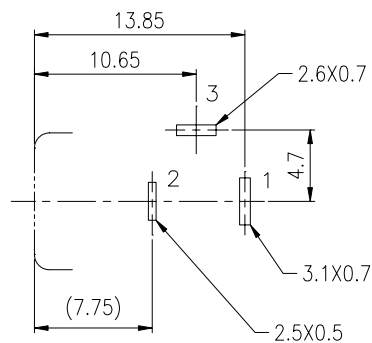
PIN TERMINAL: BRASS 0.4THK, FINISH: TIN PLATED.
 SLEEVE TERMINAL: PBS 0.25THK, FINISH: TIN PLATED.
 BREAK TERMINAL: BRASS 0.4THK, FINISH: TIN PLATED.
 HOUSING: P.B.T, FINISH: BLACK
 CENTER PIN: BRASS ø2.5, FINISH: NICKEL PLATED.

ELECTRICAL :

RATED VOLTAGE AND CURRENT: DC 12V, 2A MAX.
 AC 100V, 1A MAX.
 INSULATION RESISTANCE: 100 MΩ MIN.
 DIELECTRIC WITHSTANDING VOLTAGE:
 500 VAC (R.M.S.)
 CONTACT RESISTANCE: 30 MΩ MAX. AT 1KHz LESS
 THEN 100Ma.



TERMINAL NUMBERS



PCB LAYOUT
(BOTTOM VIEW)