

PHONE JACK CONNECTOR



Ø3.5



NK-025 SERIES

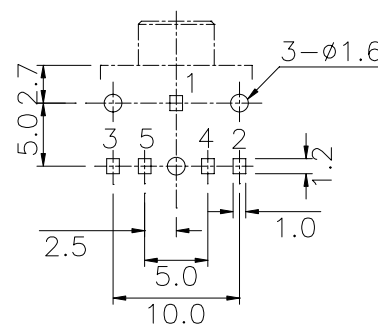
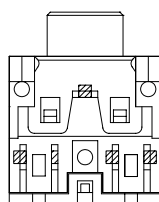
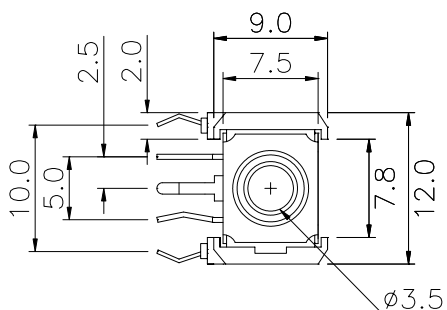
MATERIALS :

GROND TERM.: C.R.S. 0.5THK,
FINISH: NICKEL PLATED.

BARREL: C.R.S 0.4THK, FINISH: TIN PLATED
BRACKET C.RR.S. 04THK, FINISH SEE NOTE
CENTER CONTACT: BRASS 0.25THK,
FINISH: TIN PLATED
INSULATOR: P.B.T , FINISH: WHITE.
INSERT RING: P.B.T., FINISH: SEE NOTE

ELECTRICAL :

VOLTAGE RATING: 250 VAC (R.M.S.)
CURRENT RATING: 1 AMP
INSULATION RESISTANCE: 1000 MΩ MIN.
DIELECTRIC WITHSTANDING VOLTAGE: 500 VAC
(R.M.S.)



PCB LAYOUT
(BOTTOM VIEW)

