

# PCMCIA CONNECTOR



## 68P 1.27mm DIP WITH EJECTOR



**PART NO. :**

**581R68-009**

**MATERIALS :**

INSULATOR: PBT+30%G.F. COLOR BLACK UL94V-0

CONTACT : COPPER ALLOY,

PLATING: GOLD PLATED ON CONTACT AREA,  
TIN/LEAD ON SOLDER AREA.

SOLDER TAB: PHOSPHOR BRONZE. 120u" TIN/LEAD  
90/10 40u" NICKLE UNDERPLATED.

SHELL: STEEL.

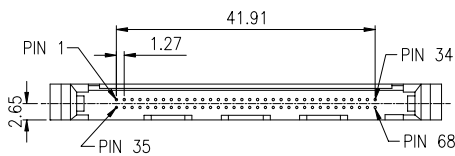
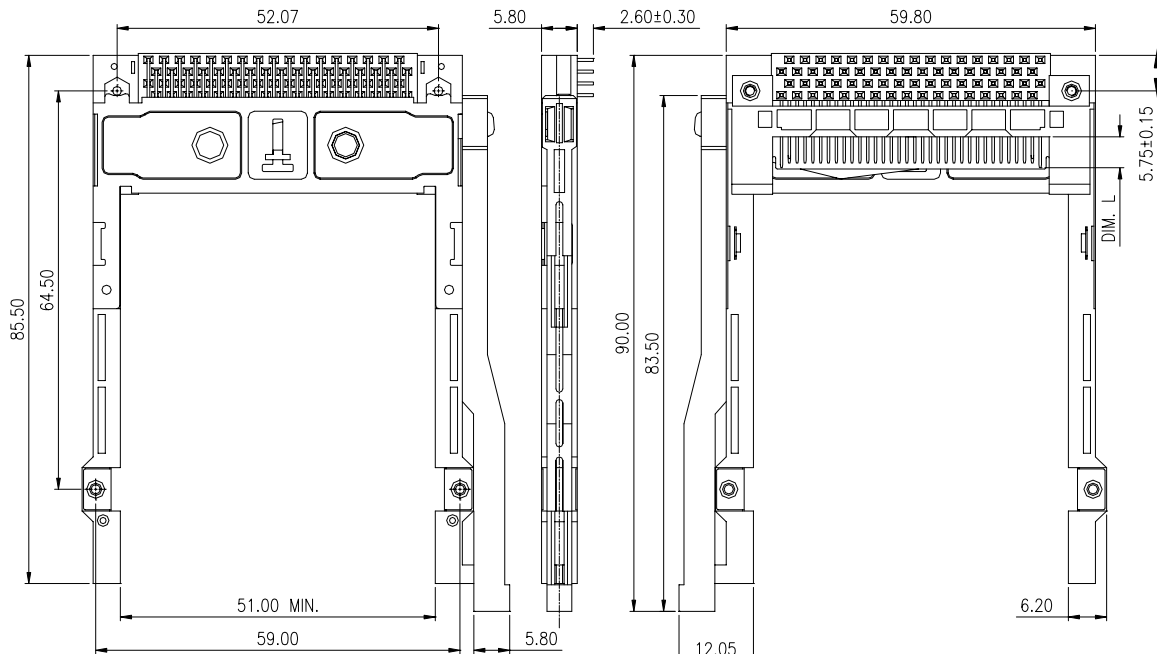
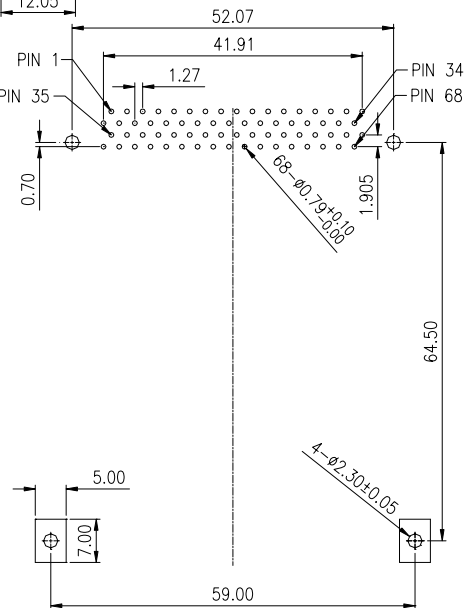


TABLE 1

PIN TYPE	DIM. L±0.20	PIN NUMBER
DETECT	3.50	36 , 67
GENERAL	4.25	THE REST
POWER	5.00	1, 17, 34, 35, 51, 68



P.C.B. LAYOUT: COMPONENT SIDE