

S.O. DIMM CONNECTOR



144P 0.80mm ASS'Y TYPE



PART NO. :

566M01-0

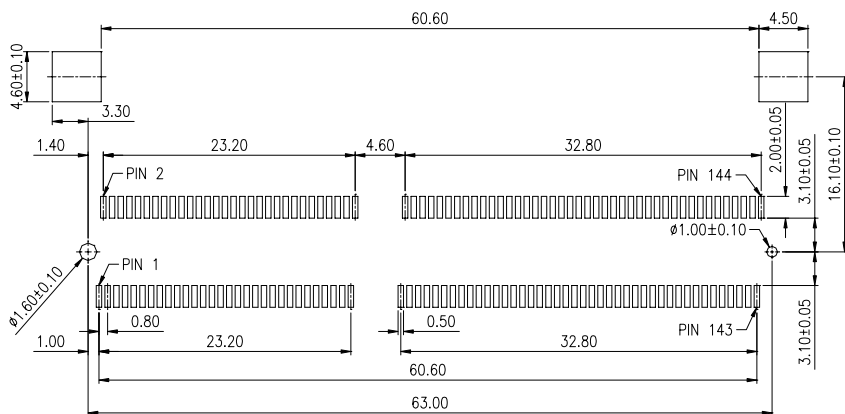
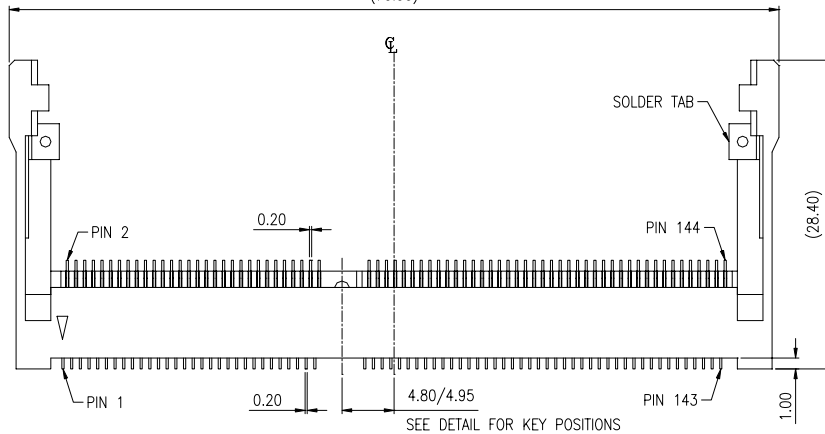
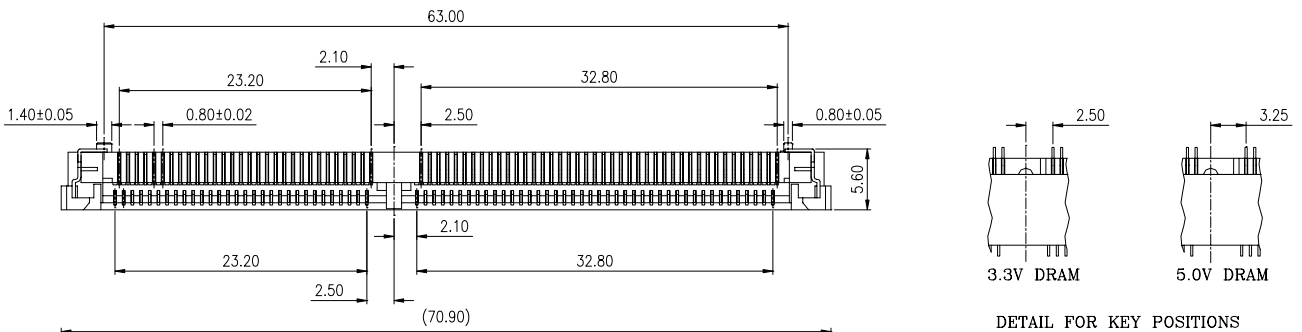
MATERIALS :

INSULATOR: LCP UL94V-0 COLOR BLACK

CONTACT : COPPER ALLOY,

PLATING: GOLD PLATED ON CONTACT AREA,
TIN/LEAD ON SOLDER AREA.

SOLDER TAB: PHOSPHOR BRONZE. 120u" TIN/LEAD
90/10 40u" NICKLE UNDERPLATED.



RECOMMENDED P.C.B. LAYOUT