

# PIN HEADER CONNECTOR



2.00mm DOUBLE ROW R/A



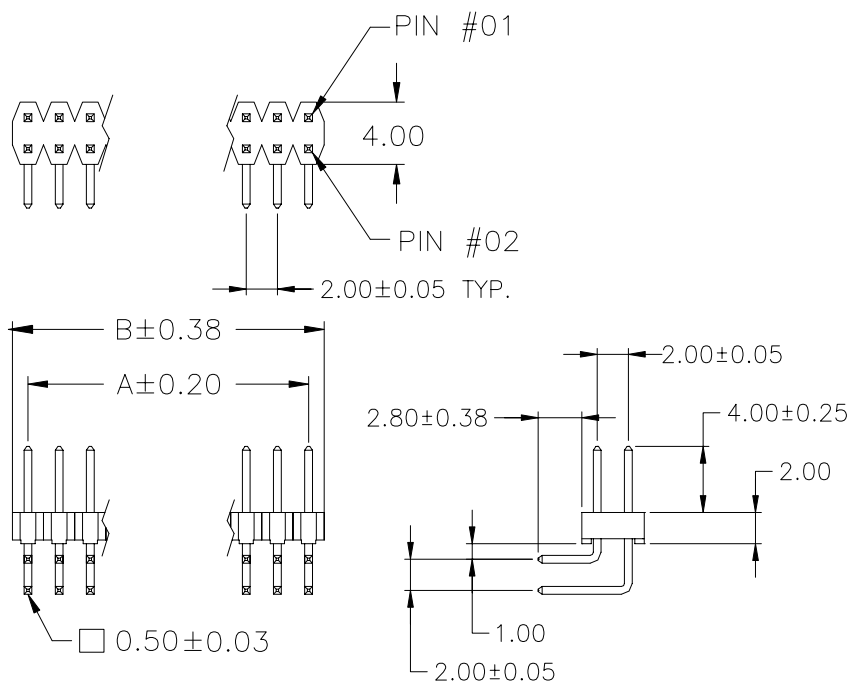
## 122R SERIES

### MATERIALS :

INSULATOR: PBT +30%G.F. COLOR BLACK UL94V-0  
CONTACT : COPPER ALLOY,  
PLATING: WITH NICKEL UNDER PLATING AND GOLD  
PLATING ON TOP ALL OVER.

### ELECTRICAL CHARACTERISTICS :

VOLTAGE RATING: 250 VAC (R.M.S.)  
CURRENT RATING: 1 AMP.  
INSULATION RESISTANCE : 2000 MΩ MIN.  
DIELECTRIC WITHSTANDING VOLTAGE : 500 VAC  
(R.M.S.)



P/N	DIMENSIONS		P/N	DIMENSIONS		P/N	DIMENSIONS		P/N	DIMENSIONS	
	A	B		A	B		A	B		A	B
122R02-A	0.00	2.00	122R22-A	20.00	22.00	122R42-A	40.00	42.00	122R62-A	60.00	62.00
122R04-A	2.00	4.00	122R24-A	22.00	24.00	122R44-A	42.00	44.00	122R64-A	62.00	64.00
122R06-A	4.00	6.00	122R26-A	24.00	26.00	122R46-A	44.00	46.00	122R66-A	64.00	66.00
122R08-A	6.00	8.00	122R28-A	26.00	28.00	122R48-A	46.00	48.00	122R68-A	66.00	68.00
122R10-A	8.00	10.00	122R30-A	28.00	30.00	122R50-A	48.00	50.00	122R70-A	68.00	70.00
122R12-A	10.00	12.00	122R32-A	30.00	32.00	122R52-A	50.00	52.00	122R72-A	70.00	72.00
122R14-A	12.00	14.00	122R34-A	32.00	34.00	122R54-A	52.00	54.00	122R74-A	72.00	74.00
122R16-A	14.00	16.00	122R36-A	34.00	36.00	122R56-A	54.00	56.00	122R76-A	74.00	76.00
122R18-A	16.00	18.00	122R38-A	36.00	38.00	122R58-A	56.00	58.00	122R78-A	76.00	78.00
122R20-A	18.00	20.00	122R40-A	38.00	40.00	122R60-A	58.00	60.00	122R80-A	78.00	80.00